

## Aluminum Clear Pre-Insulated In-Line Splicer/Reducers

### Type IISR

Manufactured from high strength aluminum alloy

Dual rated for aluminum and copper conductors, 600 Volt, 90°C

Wide conductor range: 750 kcmil - 14 Sol.

- Allows flexibility in the field and reduces number of connectors in inventory

Suitable for use in cable trays, raceways, ducts and troughs

Cold temperature rated to -40°C

Pre-filled with oxide inhibitor, prevents oxidation, moisture and contaminants from entering contact area

Supplied with removable access plugs over screw and conductor ports providing protection against contaminants

Pre-insulated at factory with clear high dielectric strength plastisol

- Saves time, eliminates taping, reduces overall installation costs
- Abrasion and chemical resistant
- Will not support combustion

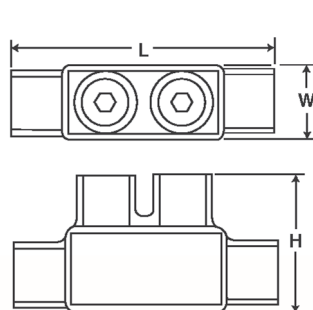


FIG. 1

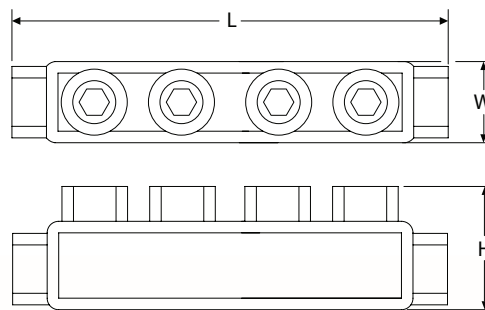


FIG. 2

CATALOG NUMBER	FIGURE NO.	CONDUCTOR RANGE	APPROXIMATE DIMENSIONS (IN.)			HEX SIZE
			L	W	H	
IISR-2	1	2 Str. - 14 Sol.	2.38	.75	1.22	5/32
IISR-1/0	1	1/0 Str. - 14 Sol.	2.91	.91	1.38	3/16
IISR-250	1	250 kcmil - 10 Sol.	4.00	1.19	2.10	5/16
IISR-350	1	350 kcmil - 10 Sol.	4.63	1.34	2.35	5/16
IISR-500	1	500 kcmil - 6 Str.	5.25	1.63	2.63	3/8
IISR-750	2	750 kcmil - 250 kcmil	8.25	1.93	2.90	3/8